



VNKPK SERIES HYDRAULIC MOTOR

VNKPK series motor are small volume, economical type, which is designed with shaft distribution flow, which adapt the Gerotor gear set design and provide compact volume, high power and low weight.

Characteristic features:

- \* Advanced manufacturing devices for the Gerotor gear set, which provide small volume, high efficiency and long life.
- \* Shaft seal can bear high pressure of motor of which can be used in parallel or in series.
- \* Advanced construction design, high power and low weight.

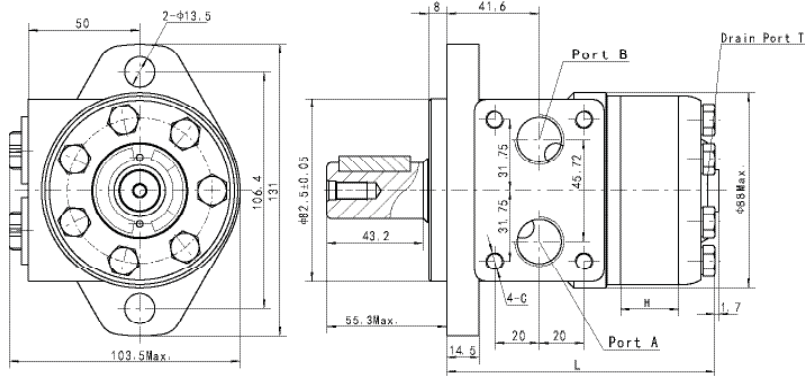
Main Specification

Technical data for VNKPK with 25 and 1 in and 1 in splined and 28.56 tapered shaft

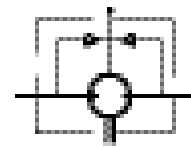
Code	Displacement [cm/rev]	Max.Speed [rpm]		Max.Torque [Nm]		Max.output [kW]		Max.pressure [MPa]		Max.Oil Flow[L/min]
		cont.	int.	cont.	int.	cont.	int.	cont.	int.	
VNKPK 36	37	1081	68	51	68	5,2	8,6	10,5	14	40
VNKPK 50	51,7	774	96	73	96	5,2	8,6	10,5	14	40
VNKPK 80	77,7	515	143	106	143	5,2	8,6	10,5	14	40
VNKPK 100	96,2	416	178	140	178	5,2	8,6	10,5	14	40
VNKPK 125	117,9	339	218	162	218	5,2	8,6	10,5	14	40
VNKPK 160	155,5	257	288	216	288	5,2	8,6	10,5	14	40
VNKPK 200	189,9	211	351	264	351	5,2	8,6	10,5	14	40
VNKPK 250	231	173	351	281	351	4,6	7	9	11,5	40
VNKPK 315	311,7	128	433	312	433	3,4	5,8	7	10,5	40
VNKPK 400	386,2	104	582	392	582	3,4	5,8	7	10,5	40

VNKPK DIMENSIONS AND MOUNTING DATA

Type	H	L
VNKPK36	7	101
VNKPK50	7	101
VNKPK80	105	104,5
VNKPK100	13	107
VNKPK125	16	110
VNKPK160	21	115
VNKPK200	26	120
VNKPK250	32	126
VNKPK315	42	136
VNKPK400	52	146



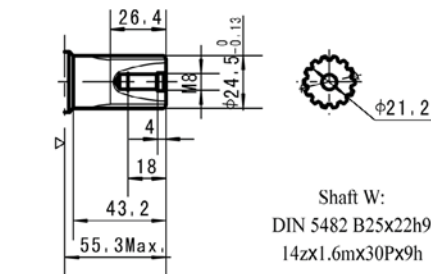
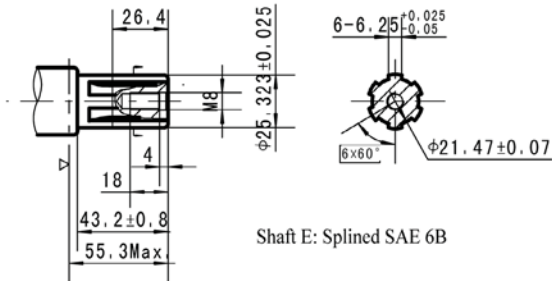
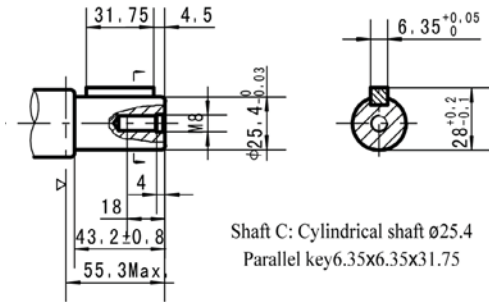
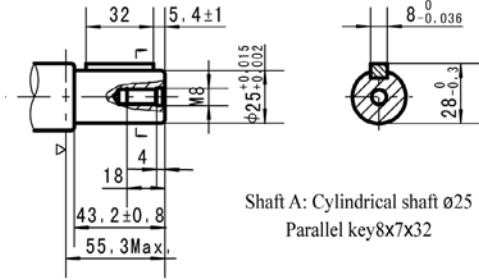
Code	D (depth)	M (depth)	S (depth)	P (depth)	R (depth)
P(A,B)	G1/2 (15)	M22 x 1.5 (15)	7/8-14 O-ring (16.7)	1/2-14NPTF (15)	PT(RC)1/2 (15)
C	4-M8 (13)	4-M8 (13)	4-5/16-18UNC(13)	4-5/16-18UNC(13)	4-M8 (13)
T	G1/4 (12)	M14 x 1.5 (12)	7/16-20UNF (12)	7/16-20UNF (12)	PT(RC)1/4 (9.7)



Direction of shaft rotation: Standard  
 When facing shaft end of motor, shaft to rotate:  
 Clockwise when port "A" is pressurized.  
 Counter-clockwise when port "B" is pressurized.



VNPK END PORT DIMENSIONS AND MOUNTING DATA



ORDER INFORMATION

VNPK	1	2	3	4	5	6	7	8	
Pos.1	Code	Flange		Output Shaft		Ports and Drain Port	Rotation Direction	Paint	Unusually Function
2	Disp.	2- $\phi 13.5$ Rhomb-flange, pilot $\phi 82.5 \times 8$	A	Shaft $\phi 25$ , parallel key 8x7x32 Shaft $\phi 25.4$ , parallel key 6.35x6.35x31.75 Shaft $\phi 25.4$ , splined key SEA 6B Shaft $\phi 24.5$ , splined B25X22 Cone shaft $\phi 28.56$ , parallel key B5x5x14	D M S	G1/2 Manifold 4xM8, G1/4 M22x1.5 Manifold 4xM8, M14x1.5 7/8-14.0-ring manifold 4x5/16-18UNC, 7/16-20UNF 1/2-14NPTF manifold 4x5/16-18UNC, 7/16-20UNF PT(Rc)1/2 manifold 4xM8, PT(Rc)1/4	Standard Opposite	No paint Blue Black Silver Grey	Standard Free Running No case drain
Omit	2		C		P		Omit R	00 Omit B S	
			E		R				
			W						
			T						

Motor Mounting Surface →

