

**DESCRIPTION:** Manual pumps are designed to create head flow of hydraulic oil, usually for activation of a hydraulic cylinder. They can be double acting for single and double acting cylinder.

**CONSTRUCTION:** The pumps consist of a body made of cast iron EN-GJL300 and a piston made of carburized steel with chrome plating.

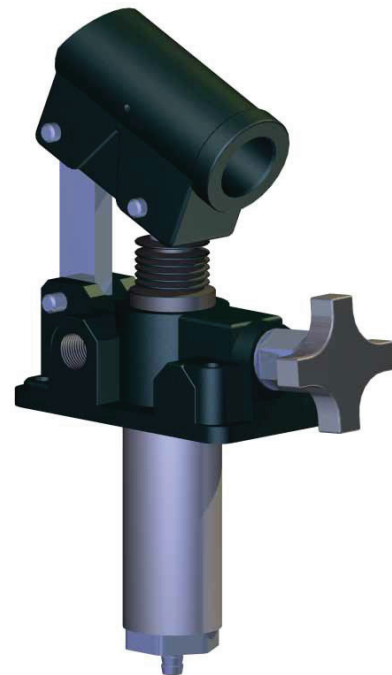
**MOUNTING:** The pumps are fixed to a tank according to the installation openings of each pump.

**TANKS:** Welded with stopper and plug, 2 mm thickness, black painted, Hole M18x1.5

1 L - 100x170x120	2 L - 100x170x170	3 L - 100x170x220
5L - 175x175x200	7 L - 175x175x290	10L - 175x175x380

### SINGLE ACTING

Piston hand pump double acting for single cylinder .



	HP12S	HP25S	HP45S
Displacement c.c.	12	25	45
Rated pressure Mpa	32	25	16
Weight	4	4.2	4.3

Options: "R" with relieve valve  
"M" with bellows

Dimensions:

