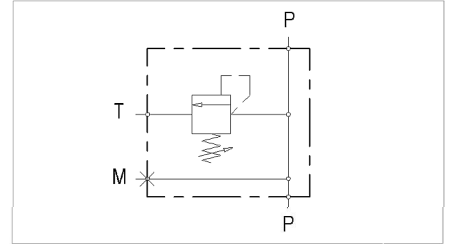
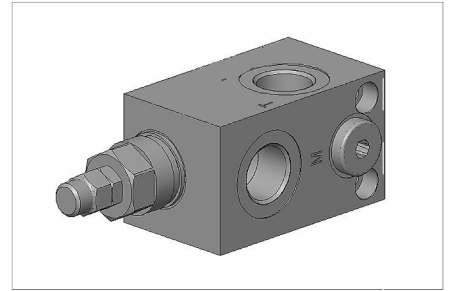
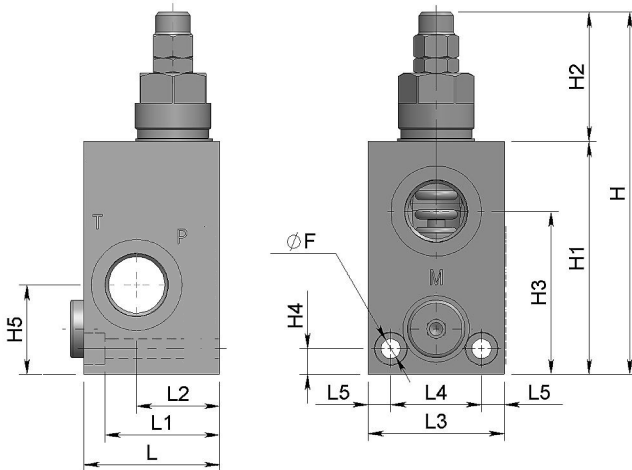


Specification	
Rated flow:	100 l/min
Max. Operating pressure:	350 bar
Standard settings at 5 l/m:	130 bar
Range:	20-180 bar
Pressure increase bar:	32 bar
Maniflod material:	Steel
Thread:	3/4" BSP
Weigth:	1,49 Kg

### Hydraulic symbol

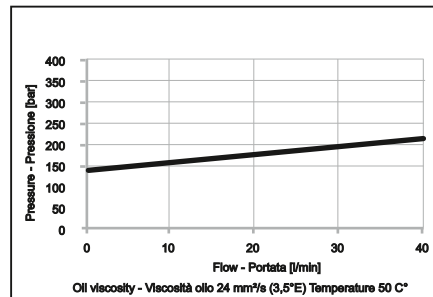


### Dimensions / Dimensioni (mm)



### Performance / Prestazioni

#### K-DRLV-100



Code	P-T	M	L	L1	L2	L3	L4	H	H1	H2	H3	H4	H5	ØF	Weigth (kg)	Max Flow (l/min)
K-DRLV-100	3/4 BSPP	1/4 BSPP	50	41	32,5	50	32	134,5	92	42,5	68	10	35	6,5	1,48	100