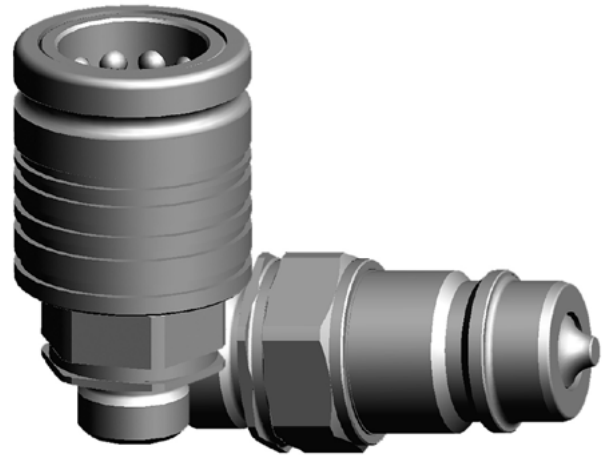


## TECHNICAL DATA

Standard:	ISO 7241 A
Sleeve	double acting
Occlusion:	poppet
Locking:	radial balls
Material:	steel
Finishing:	Zinc plated
Threads:	BSPF
Standard seals:	NBR
Working temperature:	-25° C + 100° C
Optional seals:	FKM
Workings pressure:	250 bar
Connection under residual pressure:	not allowed



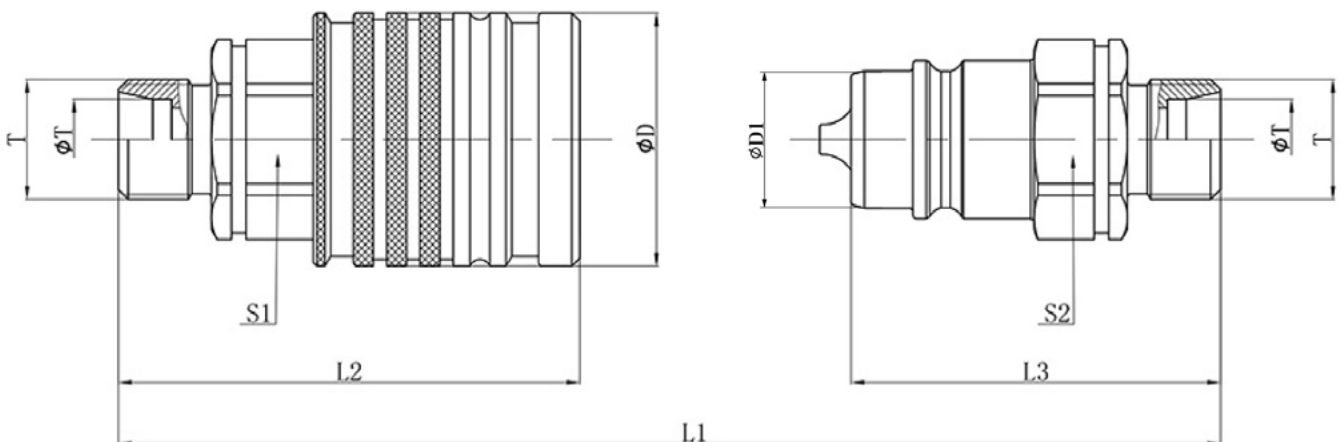
### Applications:

Versatile VSM series couplings are used in a wide range of hydraulic applications including construction equipment, manufacturing machinery, and in-plant systems.

They can be found anywhere the fluid transfer lines need to be connected and disconnected for operation or maintenance of equipment.

### Interchange Standard

Parker 2000 series  
Faster PV  
Aeroquip FD 72  
Eaton H5000  
Holmbury P  
Dnp PPV  
Stucchi IRSV



Type	ISO Ø	L1	L2	L3	ØD	ØD1	S1	S2	Ø	T
VSM14150	12,5	95	65,3	51,5	38	20,5	27	27	8L	M14x150
VSM16150	12,5	97	66,3	52,5	38	20,5	27	27	10L	M16x150
VSM18150	12,5	97	66,3	52,5	38	20,5	27	27	12L	M18x150
VSM22150	12,5	99	67,3	53,5	38	20,5	27	27	15L	M22X150
VSM26150	12,5	99	67,3	53,5	38	20,5	27	27	18L	M26x150

Type	ISO Ø	L1	L2	L3	ØD	S1	S2	Ø	T
VSM18150	12,5	99	67,3	53,5	38	27	27	10S	M18x150
VSM20150	12,5	99	67,3	53,5	38	27	27	12S	M20x150
VSM22150	12,5	103	69,3	53,5	38	27	27	14S	M22x150
VSM24150	12,5	103	69,3	53,5	38	27	27	16S	M24x150
VSM30200	12,5	107	71,3	57,5	38	30	30	20S	M30x200

## ACCESSORIES



ISO Ø	Female Dust Plug	Male Dust Cap	Colour	Material
12,5	VSA-08F	VSA-08M	Red, Blue, Yellow, Black, Orange	Plastic



ISO Ø	Automatic Dust Cap	Colour	Material
12,5	NCA-08F	Red, Yellow, Black	Nylon