



***HYDRAULIC
QUICK COUPLINGS***



VINCKE



The **hydraulic quick** connector is a component which allows a fast and efficient connection to the fluid line powering tools and accessories. Hydraulic quick release couplings bring efficiency, productivity and safety in hydraulic systems.

Vincke comprises a product range in constant expansion and our couplings are synonymous with quality and performance.



INDEX

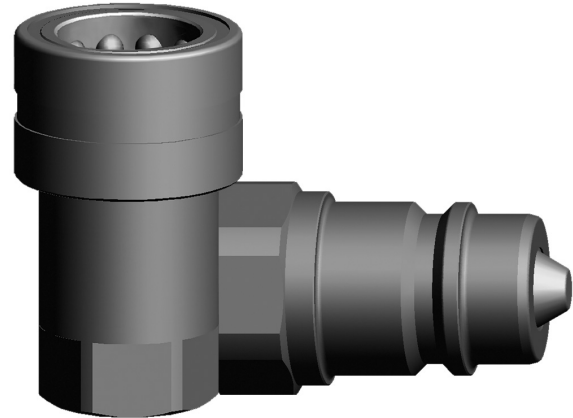
Interactive



VSA.....	4
VSA-PC.....	6
VNV.....	8
VNS.....	10
VSBL.....	12
VS BX.....	14
VSAX.....	16
VSP.....	18
VSP-PC.....	20
VSM.....	22
VSM-SC.....	24
VST-PC.....	26
VSV.....	28
VSG.....	30
VHP.....	32
VSD.....	34
VSR.....	35
VCFPV.....	37
WF.....	39
WA.....	41
HAND GRIP.....	44
HAND GRIP RING.....	45
VSA PARKING.....	46
PCPA2.....	47

TECHNICAL DATA

Standard:	ISO 7241 A
Occlusion:	poppet
Locking:	radial balls
Material:	steel
Finishing:	Zinc plated
Threads:	BSPP
Standard seals:	NBR
Working temperature:	-25° C + 100° C
Optional seals:	FKM - EPDM
Workings pressure:	160-315 bar
Connection under residual pressure:	not allowed



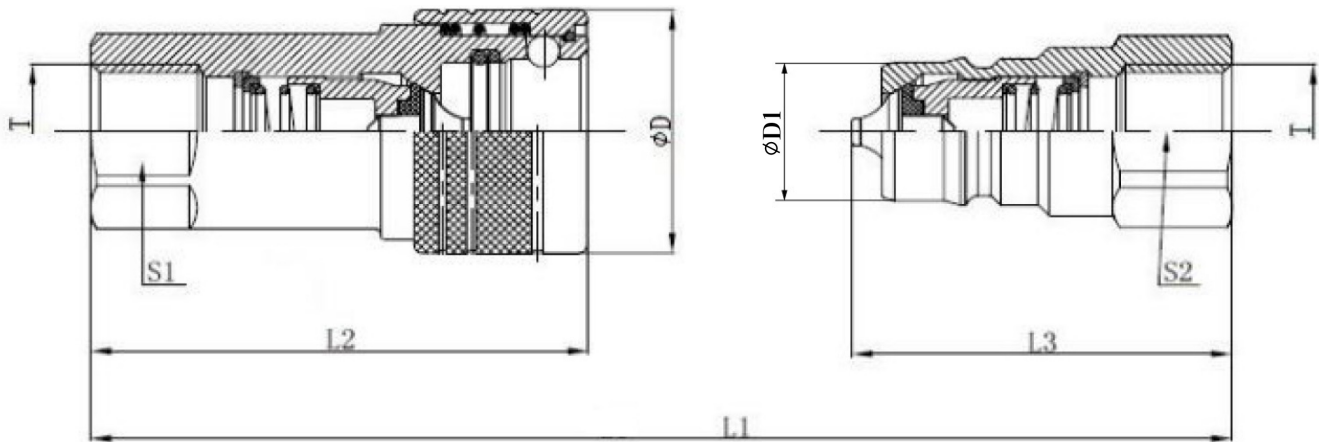
Applications:

Versatile VSA series couplings are used in wide range of hydraulic applications including construction equipment, manufacturing machinery, and in-plant systems.

They can be found anywhere the fluid transfer lines need to be connected and disconnected for operation or electronics and automotive industry.

Interchange Standard

Stucchi BIR
Faster ANV
Aeroquip FD 56
Snap Tite 61
Dnp PAV1
Eaton 5600
Holmbury IA
Parker 60 series



Type	ISO Ø	L1	L2	L3	ØD	ØD1	S1	S2	T
VSA14	6,3	70	49	36,7	26	11,8	19	19	BSPP 1/4"
VSA38	10	85,3	60,5	46,2	30,5	17,3	22	22	BSPP 3/8"
VSA12	12,5	93,5	68,5	51,4	38	20,5	27	27	BSPP 1/2"
VSA34	20	115,5	85	65	46	28,1	34	34	BSPP 3/4"
VSA100	25	131,6	99,5	73	52	34,3	41	41	BSPP 1"
VSA114	31,5	148	116	74	69,5	45	50	50	BSPP 1" 1/4"
VSA112	40	168	134,7	84	82	55	60	60	BSPP 1" 1/2"

TECHNICAL CHARACTERISTICS

Type	ISO Ø	Q.	Max. Q	Max. Operating Pressure			Burst Pressure		
				Coupled	Male	Female	Coupled	Male	Female
	mm	l/min	l/min	Bar	Bar	Bar	Bar	Bar	Bar
VSA14	6,3	12	17	315	315	315	1450	1510	1760
VSA38	10	23	46	315	315	315	1450	1470	1520
VSA12	12,5	45	90	250	250	250	1250	1000	1460
VSA34	20	106	148	250	250	250	1040	900	1530
VSA100	25	189	200	250	200	200	900	800	960
VSA114	31,5	288	480	200	200	200	1000	1100	850
VSA112	40	379	757	190	190	190	820	800	800

ACCESSORIES



ISO Ø	Female Dust Plug	Male Dust Cap	Colour	Material
6,3	VSA-04F	VSA-04M	Red, Blue, Yellow, Black, Orange	Plastic
10	VSA-06F	VSA-06M	Red, Blue, Yellow, Black, Orange	Plastic
12,5	VSA-08F	VSA-08M	Red, Blue, Yellow, Black, Orange	Plastic
20	VSA-12F	VSA-12M	Red, Blue, Yellow, Black, Orange	Plastic
25	VSA-16F	VSA-16M	Red, Blue, Yellow, Black, Orange	Plastic

TECHNICAL DATA

Standard:	ISO 7241 A
Occlusion:	decompression valve
Locking:	radial balls
Material:	steel
Finishing:	Zinc plated
Threads:	BSPP
Standard seals:	NBR
Working temperature:	-25° C + 100° C
Optional seals:	FKM - EPDM
Workings pressure:	250 bar
Connection under residual pressure:	both male or female side
Max residual pressure:	250 bar



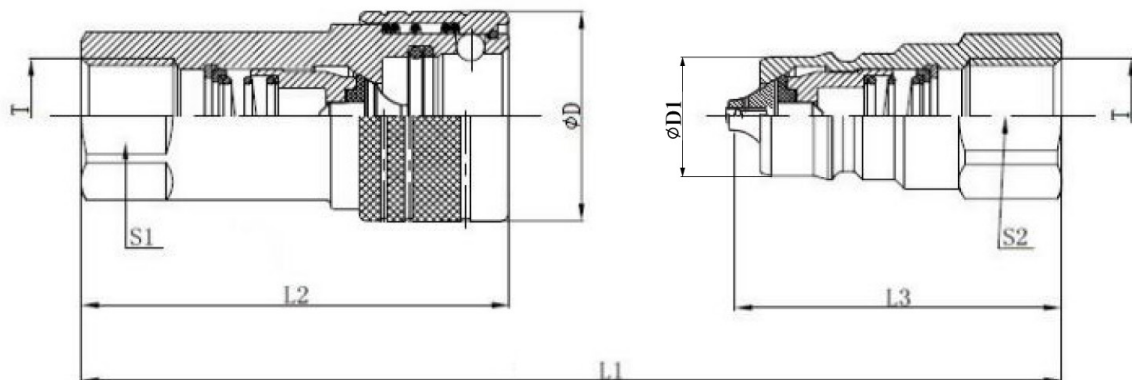
Applications:

Versatile VSA-PC series couplings are used in a wide range of hydraulic applications including construction equipment, manufacturing machinery, and in-plant systems.

They can be found anywhere the fluid transfer lines need to be connected and disconnected for operation or maintenance of equipment.

Interchange Standard

Stucchi BIR-PC
 Faster ANV
 Aeroquip FD 56
 Snap Tite 61
 Dnp PAV1
 Eaton 5600
 Holmbury IA
 Parker 60 series



Type	ISO Ø	L1	L2	L3	ØD	ØD1	S1	S2	T
VSA-PC12	12,5	93,5	68,5	51,4	38	20,5	27	27	BSPP 1/2"

TECHNICAL CHARACTERISTICS

Type	ISO Ø	Q.	Max. Q	Max. Operating Pressure			Burst Pressure		
				Coupled	Male	Female	Coupled	Male	Female
	mm	l/min	l/min	Bar	Bar	Bar	Bar	Bar	Bar
VSA-PC12	12,5	45	90	250	250	250	1250	1000	1460

ACCESSORIES



ISO Ø	Female Dust Plug	Male Dust Cap	Colour	Material
12,5	VSA-08F	VSA-08M	Red, Blue, Yellow, Black, Orange	Plastic

TECHNICAL DATA

Standard:	ISO 5675
Occlusion:	poppet
Locking:	radial balls
Material:	steel
Threads:	BSPP
Standard seals:	NBR
Working temperature:	-25° C + 100° C
Optional seals:	FKM - EPDM
Workings pressure:	200-300 bar
Connection under residual pressure:	not allowed



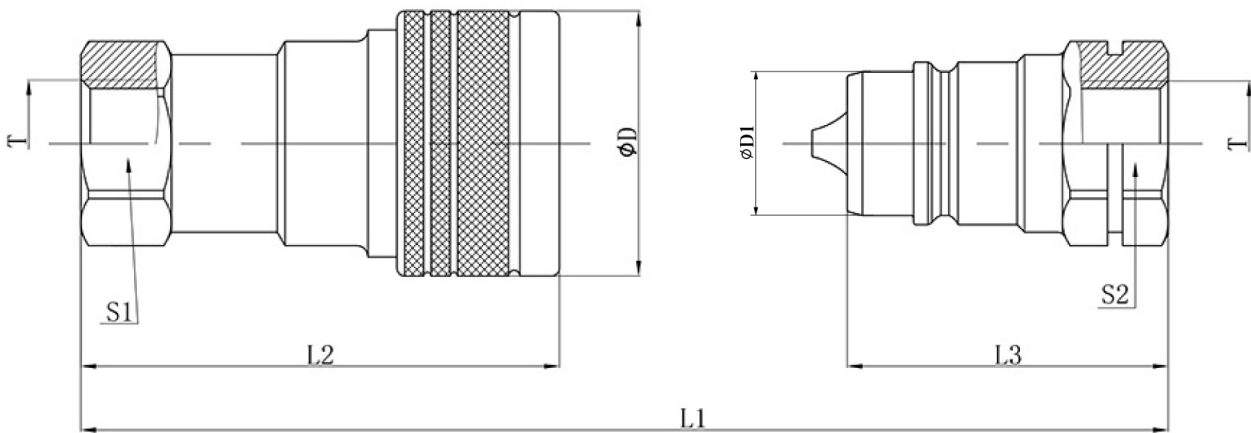
Applications:

Versatile VNV series couplings are used in a wide range of hydraulic applications including construction equipment, manufacturing machinery, and in-plant systems.

They can be found anywhere the fluid transfer lines need to be connected and disconnected for operation or electronics and automotive industry.

Interchange Standard

Faster NV
Aeroquip FD 42
Snap Tite 21
Dnp PDV1
Holmbury DIN
Stucchi IR/V
Parker 4000 series



Type	ISO Ø	L1	L2	L3	ØD	ØD1	S1	S2	T
VNV14	6,3	74,3	55,5	39,1	28	14,2	19	19	BSPP 1/4"
VNV38	10	85,2	63	46,1	35	19	22	22	BSPP 3/8"
VNV34	20	115,8	86,5	64,7	48	26,9	34	34	BSPP 3/4"
VNV100	25	131,5	99,5	72,4	52,5	31,4	41	41	BSPP 1"

TECHNICAL CHARACTERISTICS

Type	ISO Ø	Q.	Max. Q	Max. Operating Pressure			Burst Pressure		
				Coupled	Male	Female	Coupled	Male	Female
				Bar	Bar	Bar	Bar	Bar	Bar
VNV14	6,3	12	24	300	300	300	1000	1000	1000
VNV38	10	23	46	300	300	300	1000	1000	1000
VNV34	20	106	148	250	250	250	1000	1000	1000
VNV100	25	189	200	200	200	200	800	800	800

ACCESSORIES



ISO Ø	Female Dust Plug	Male Dust Cap	Colour	Material
6,3	VNV-04F	VNV-04M	Blue	Plastic
10	VNV-06F	VNV-06M	Blue	Plastic
12,5	VNV-08F	VNV-08M	Blue	Plastic
20	VNV-12F	VNV-12M	Blue	Plastic
25	VNV-16F	VNV-16M	Blue	Plastic

TECHNICAL DATA

Standard:	ISO 5675
Occlusion:	ball
Locking:	radial balls
Material:	steel
Finishing:	Zinc plated
Threads:	BSPP
Standard seals:	NBR
Working temperature:	-25° C + 100° C
Optional seals:	FKM - EPDM
Workings pressure:	200-300 bar
Connection under residual pressure:	not allowed



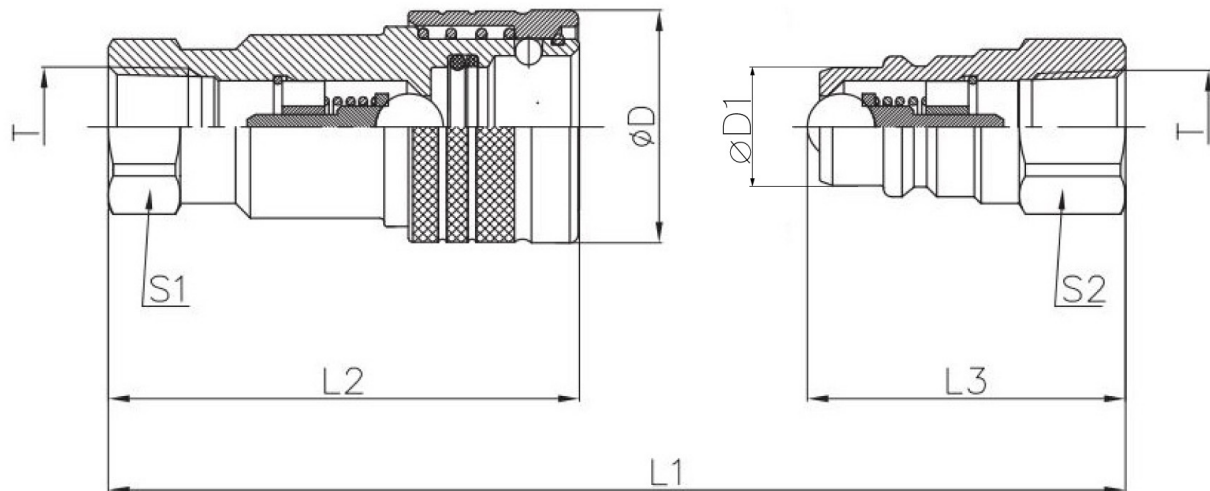
Applications:

Versatile VNS series couplings are used in a wide range of hydraulic applications including construction equipment, manufacturing machinery, and in-plant systems.

They can be found anywhere the fluid transfer lines need to be connected and disconnected for operation or electronics and automotive industry.

Interchange Standard

Faster NS
Aeroquip FD 42
Snap Tite 21
Dnp PDS1
Holmbury DIN
Stucchi IR
Parker 4000 series



Type	ISO Ø	L1	L2	L3	ØD	ØD1	S1	S2	T
VNS14	6,3	74,3	55,5	39,1	28	14,2	19	19	BSPP 1/4"
VNS38	10	85,2	63	46,1	35	19	22	22	BSPP 3/8"
VNS12	12,5	93	68,5	46,5	38	20,5	27	27	BSPP 1/2"
VNS34	20	115,8	86,5	64,7	48	38,5	34	34	BSPP 3/4"
VNS100	25	131,5	99,5	72,4	52,5	44,8	41	41	BSPP 1"

TECHNICAL CHARACTERISTICS

Type	ISO Ø	Q.	Max. Q	Max. Operating Pressure			Burst Pressure		
				Coupled	Male	Female	Coupled	Male	Female
				Bar	Bar	Bar	Bar	Bar	Bar
VNS14	6,3	12	24	300	300	300	1000	1000	1000
VNS38	10	23	46	300	300	300	1000	1000	1000
VNS12	12,5	30	55	200	200	200	1300	800	950
VNS34	20	106	148	250	250	250	1000	1000	1000
VNS100	25	189	200	200	200	200	800	800	800

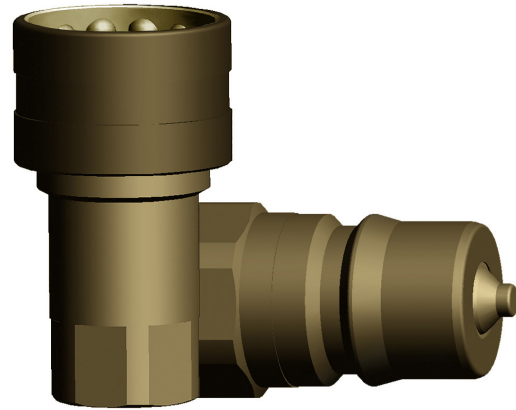
ACCESSORIES



ISO Ø	Female Dust Plug	Male Dust Cap	Colour	Material
6,3	VNV-04F	VNV-04M	Blue	Plastic
10	VNV-06F	VNV-06M	Blue	Plastic
12,5	VNV-08F	VNV-08M	Blue	Plastic
20	VNV-12F	VNV-12M	Blue	Plastic
25	VNV-16F	VNV-16M	Blue	Plastic

TECHNICAL DATA

Standard:	ISO 7241 B
Occlusion:	poppet
Locking:	radial balls
Material:	brass
Threads:	BSPP
Standard seals:	FKM
Working temperature:	-25° C + 200° C
Optional seals	EPDM
Workings pressure:	130-200 bar
Connection under residual pressure:	not allowed

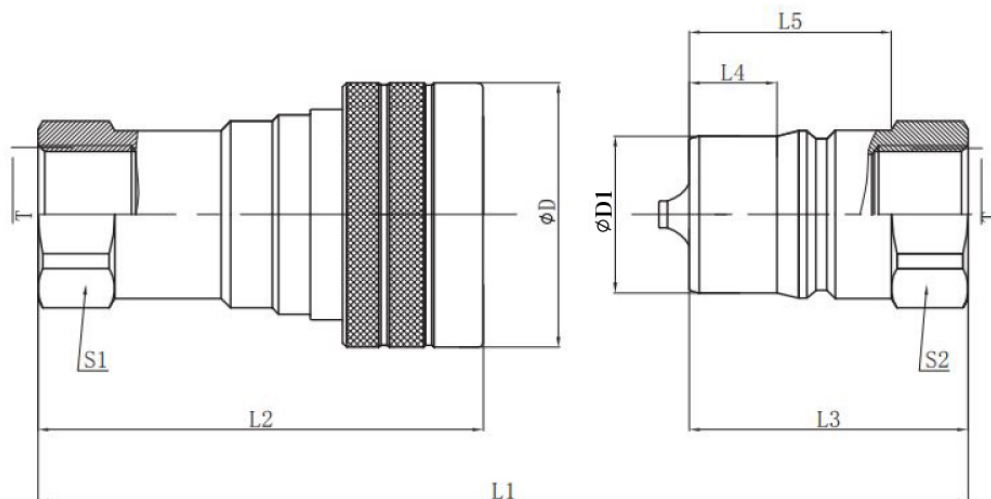


Applications:

Versatile VSBL are used across the spectrum of hydraulic applications. Their general solidity permits the strenuous applications in aeronautics, electronics and automotive industry, food and botting industry, boating, shipbuilding, offshore industry pharmaceutical industry, transport hydroelectric, power stations, etc.

Interchange Standard

Faster HNV
 Dnp PBVM
 Eaton HK
 Holmbury IB
 Stucchi IRBO
 Parker 60 series



Type	ISO Ø	L1	L2	L3	ØD	ØD1	S1	S2	T
VSBL14	6,3	72,5	57	36	27,5	14,2	19	19	BSPP 1/4"
VSBL38	10	80	65	40	35	19,9	22	22	BSPP 3/8"
VSBL12	12,5	94,5	74	46,5	44	23,5	27	27	BSPP 1/2"
VSBL34	20	112,5	89	57,5	52	31,4	34	34	BSPP 3/4"
VSBL100	25	132,5	106	65,5	60	37,7	41	41	BSPP 1"

TECHNICAL CHARACTERISTICS

Type	ISO Ø	Q.	Max. Q	Max. Operating Pressure			Burst Pressure		
				Coupled	Male	Female	Coupled	Male	Female
				Bar	Bar	Bar	Bar	Bar	Bar
VSBL14	6,3	12	20	200	200	200	1200	800	800
VSBL38	10	23	46	200	200	200	950	800	850
VSBL12	12,5	45	90	180	180	180	1000	720	900
VSBL34	20	106	148	130	130	130	800	550	650
VSBL100	25	189	200	130	130	130	600	550	700

ACCESSORIES



ISO Ø	Female Dust Plug	Male Dust Cap	Colour	Material
6,3	VSBL-04F	VSBL-04M	Blue	Plastic
10	VSBL-06F	VSBL-06M	Blue	Plastic
12,5	VSBL-08F	VSBL-08M	Blue	Plastic
20	VSBL-12F	VSBL-12M	Blue	Plastic
25	VSBL-16F	VSBL-16M	Blue	Plastic

TECHNICAL DATA

Standard:	ISO 7241 B
Occlusion:	poppet
Locking:	radial balls
Material:	Stainless steel
Finishing:	Zinc plated
Threads:	BSPP
Standard seals:	FKM
Working temperature:	-25° C + 200° C
Optional seals:	FKM - EPDM
Workings pressure:	250 bar
Connection under residual pressure:	not allowed



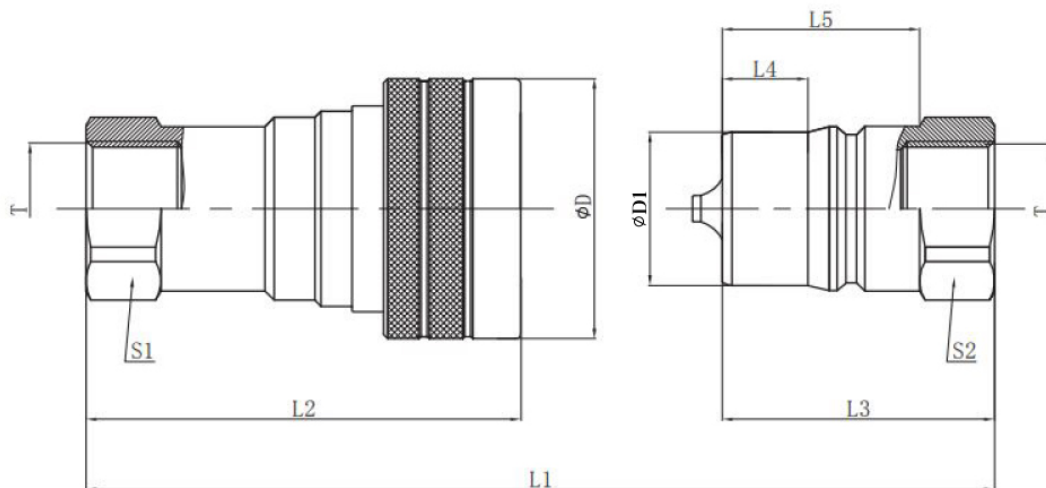
Applications:

Versatile VSBX are used across the spectrum of hydraulic applications.

Their general solidity permits the strenuous applications in aeronautics, electronics and automotive industry, food and botting industry, boating, shipbuilding, offshore industry pharmaceutical industry, transport hydroelectric, power stations, etc.

Interchange Standard

Faster HNV
Dnp PBVm
Eaton HK
Holmbury IB
Stucchi IRBX
Parker 60 series



Type	ISO Ø	L1	L2	L3	ØD	ØD1	S1	S2	T
VSBX14	6,3	72,5	57	36	27,5	14,2	19	19	BSPP 1/4"
VSBX38	10	80	65	40	35	19,1	22	22	BSPP 3/8"
VSBX12	12,5	94,5	74	46,5	44	23,5	27	27	BSPP 1/2"
VSBX34	20	112,5	89	57,5	52	31,4	34	34	BSPP 3/4"
VSBX100	25	132,5	106	65,5	60	37,7	41	41	BSPP 1"

TECHNICAL CHARACTERISTICS

Type	ISO Ø	Q.	Max. Q	Max. Operating Pressure			Burst Pressure		
				Coupled	Male	Female	Coupled	Male	Female
				Bar	Bar	Bar	Bar	Bar	Bar
VSBX14	6,3	12	20	210	210	210	1620	1700	1500
VSBX38	10	23	46	100	100	100	2100	1140	1110
VSBX12	12,5	45	90	100	100	100	1530	1540	1460
VSBX34	20	106	148	100	100	100	1070	1050	890
VSBX100	25	189	200	80	80	80	880	620	670

ACCESSORIES



ISO Ø	Female Dust Plug	Male Dust Cap	Colour	Material
6,3	VSB-04F	VSB-04M	Blue	Plastic
10	VSB-06F	VSB-06M	Blue	Plastic
12,5	VSB-08F	VSB-08M	Blue	Plastic
20	VSB-12F	VSB-12M	Blue	Plastic
25	VSB-16F	VSB-16M	Blue	Plastic

TECHNICAL DATA

Standard:	ISO 7241 A
Occlusion:	poppet
Locking:	radial balls
Material:	stainless steel AISI 316
Finishing:	Zinc plated
Threads:	BSPP
Standard seals:	FKM
Working temperature:	-25° C + 200° C
Optional seals:	FKM - EPDM
Workings pressure:	160-315 bar
Connection under residual pressure:	not allowed



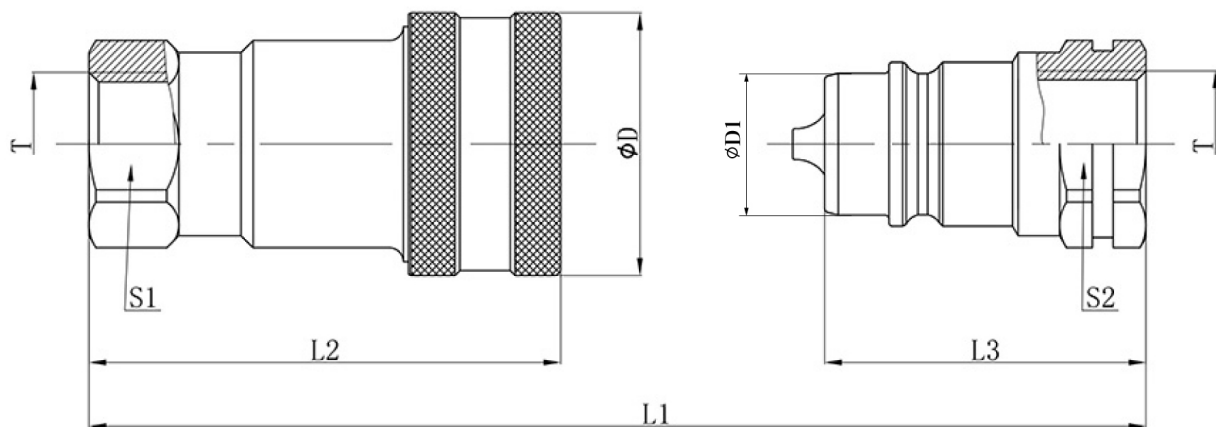
Applications:

Versatile VSAX series couplings are used in a wide range of hydraulic applications including agricultural applications, mobile and construction equipment. In-plant machinery including hydraulic power units and hand tools

They can be found anywhere where the fluid transfer lines need to be connected and disconnected for operations or maintenance of equipment.

Interchange Standard

Stucchi BIR
Faster ANV
Aeroquip FD 56
Snap Tite 61
Dnp PAV1
Eaton 5600
Holmbury IA
Parker 60 series



Type	ISO Ø	L1	L2	L3	ØD	ØD1	S1	S2	T
VSAX14	6,3	70	49,2	35	26	11,8	19	19	BSPP 1/4"
VSAX38	10	85,3	60,5	42,5	30,5	17,3	22	22	BSPP 3/8"
VSAX12	12,5	93	68,5	46,5	38	20,5	27	27	BSPP 1/2"
VSAX34	20	114,2	84,1	57,1	46	29,10	34	34	BSPP 3/4"
VSAX100	25	131,8	99,5	65,5	52	34,3	41	41	BSPP 1"
VSAX114	31,5	148	116	74	69,5	45	50	50	BSPP 1" 1/4"
VSAX112	40	168	133,2	84	82	55	83	60	BSPP 1" 1/2"

TECHNICAL CHARACTERISTICS

Type	ISO Ø	Q.	Max. Q	Max. Operating Pressure			Burst Pressure		
				Coupled	Male	Female	Coupled	Male	Female
	mm	l/min	l/min	Bar	Bar	Bar	Bar	Bar	Bar
VSAX14	6,3	12	17	450	450	450	2900	3200	2900
VSAX38	10	23	46	300	300	300	1300	1250	1250
VSAX12	12,5	45	90	300	300	300	1350	1200	1200
VSAX34	20	106	148	250	250	250	1100	800	1000
VSAX100	25	189	200	200	200	200	850	600	650
VSAX114	31,5	288	480	100	100	100	400	400	400
VSAX112	40	379	757	80	80	80	320	320	320

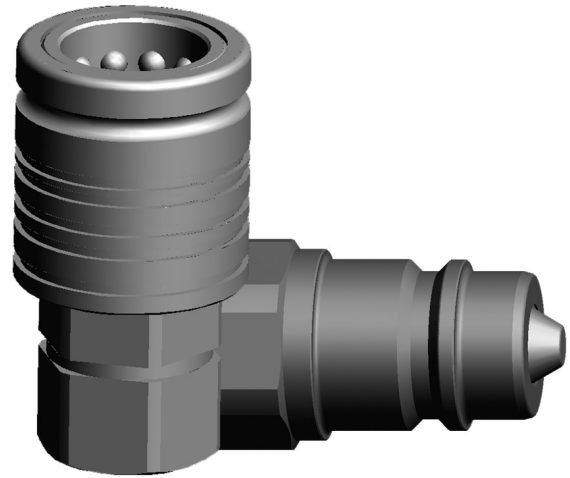
ACCESSORIES



ISO Ø	Female Dust Plug	Male Dust Cap	Colour	Material
6,3	VSA-04F	VSA-04M	Red, Blue, Yellow, Black, Orange	Plastic
10	VSA-06F	VSA-06M	Red, Blue, Yellow, Black, Orange	Plastic
12,5	VSA-08F	VSA-08M	Red, Blue, Yellow, Black, Orange	Plastic
20	VSA-12F	VSA-12M	Red, Blue, Yellow, Black, Orange	Plastic
25	VSA-16F	VSA-16M	Red, Blue, Yellow, Black, Orange	Plastic

TECHNICAL DATA

Standard:	ISO 7241 A
Sleeve:	double acting
Occlusion:	poppet
Locking:	radial balls
Material:	steel
Finishing:	Zinc plated
Threads:	BSPP
Standard seals:	NBR
Working temperature:	-20° C + 100° C
Optional seals:	FKM
Workings pressure:	250 bar
Connection under residual pressure:	not allowed



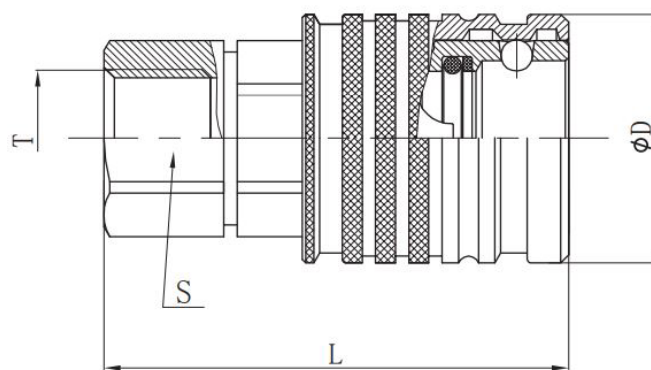
Applications:

Versatile VSP series couplings are used in a wide range of hydraulic applications including construction equipment, manufacturing machinery, and in-plant systems.

They can be found anywhere the fluid transfer lines need to be connected and disconnected for operation or maintenance of equipment.

Interchange Standard

Stucchi IRSV
Faster PV
Aeroquip FD 72
Eaton H5000
Holambury P
Dnp PPV
Parker 2000 series



Type	ISO Ø	L1	L2	L3	ØD	S1	S2	T
VSP12	12,5	96	70	51,4	38	27	27	BSPP 1/2"

TECHNICAL CHARACTERISTICS

Type	ISO Ø	Q.	Max. Q	Max. Operating Pressure			Burst Pressure		
				Coupled	Male	Female	Coupled	Male	Female
	mm	l/min	l/min	Bar	Bar	Bar	Bar	Bar	Bar
VSP12	12,5	45	90	250	250	250	1240	1000	1600

ACCESSORIES



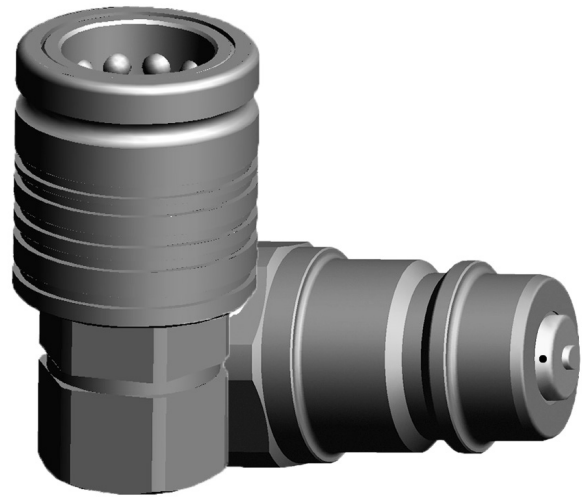
ISO Ø	Female Dust Plug	Male Dust Cap	Colour	Material
12,5	VSA-08F	VSA-08M	Red, Blue, Yellow, Black, Orange	Plastic



ISO Ø	Automatic Dust Cap	Colour	Material
12,5	NCA-08F	Red, Yellow, Black	Nylon

TECHNICAL DATA

Standard:	ISO 7241 A
Sleeve:	double acting
Occlusion:	decompression valve
Locking:	radial balls
Material:	steel
Finishing:	Zinc plated
Threads:	BSPP
Standard seals:	NBR
Working temperature:	-25° C + 100° C
Optional seals:	FKM
Workings pressure:	250 bar
Connection under residual pressure:	both male or female side
Max residual pressure:	250 bar



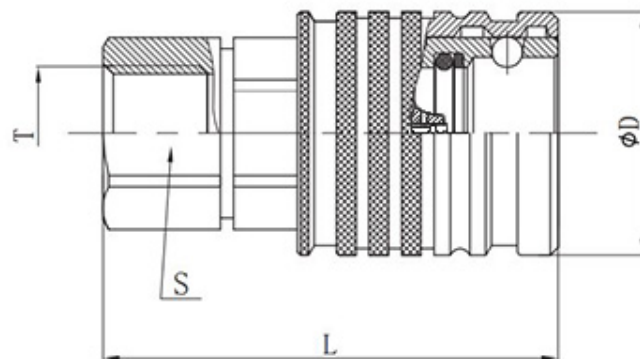
Applications:

Versatile VSP-PC series couplings are used in a wide range of hydraulic applications including construction equipment, manufacturing machinery, and in-plant systems.

They can be found anywhere the fluid transfer lines need to be connected and disconnected for operation or maintenance of equipment.

Interchange Standard

Stucchi IRSV-PC
Faster PV
Aeroquip FD 72
Eaton H5000
Holmbury P
Dnp PPV
Parker 2000 series



Type	ISO Ø	L1	L2	L3	ØD	S1	S2	T
VSP-PC12	12,5	96	70	51,4	38	27	27	BSPP 1/2"

TECHNICAL CHARACTERISTICS

Type	ISO Ø	Q.	Max. Q	Max. Operating Pressure			Burst Pressure		
				Coupled	Male	Female	Coupled	Male	Female
	mm	l/min	l/min	Bar	Bar	Bar	Bar	Bar	Bar
VSP-PC12	12,5	45	90	250	250	250	1240	1000	1600

ACCESSORIES



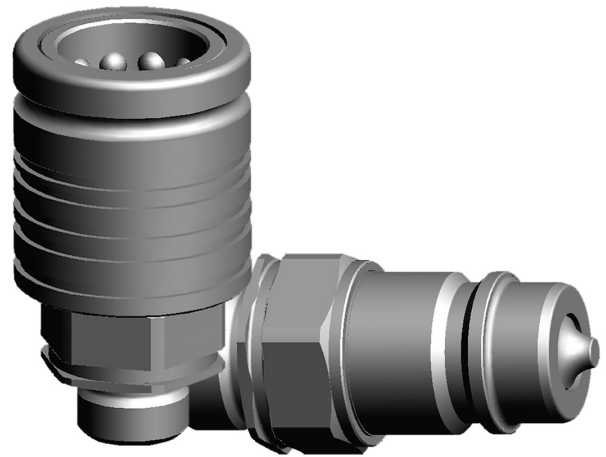
ISO Ø	Female Dust Plug	Male Dust Cap	Colour	Material
12,5	VSA-08F	VSA-08M	Red, Blue, Yellow, Black, Orange	Plastic



ISO Ø	Automatic Dust Cap	Colour	Material
12,5	NCA-08F	Red, Yellow, Black	Nylon

TECHNICAL DATA

Standard:	ISO 7241 A
Sleeve	double acting
Occlusion:	poppet
Locking:	radial balls
Material:	steel
Finishing:	Zinc plated
Threads:	BSPF
Standard seals:	NBR
Working temperature:	-25° C + 100° C
Optional seals:	FKM
Workings pressure:	250 bar
Connection under residual pressure:	not allowed



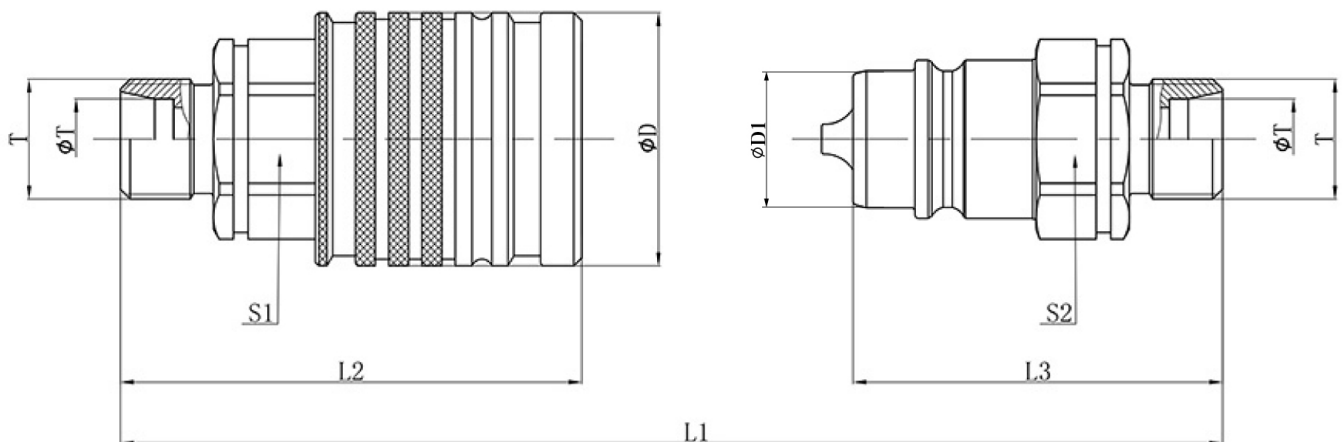
Applications:

Versatile VSM series couplings are used in a wide range of hydraulic applications including construction equipment, manufacturing machinery, and in-plant systems.

They can be found anywhere the fluid transfer lines need to be connected and disconnected for operation or maintenance of equipment.

Interchange Standard

Parker 2000 series
Faster PV
Aeroquip FD 72
Eaton H5000
Holmbury P
Dnp PPV
Stucchi IRSV



Type	ISO Ø	L1	L2	L3	ØD	ØD1	S1	S2	Ø	T
VSM14150	12,5	95	65,3	51,5	38	20,5	27	27	8L	M14x150
VSM16150	12,5	97	66,3	52,5	38	20,5	27	27	10L	M16x150
VSM18150	12,5	97	66,3	52,5	38	20,5	27	27	12L	M18x150
VSM22150	12,5	99	67,3	53,5	38	20,5	27	27	15L	M22X150
VSM26150	12,5	99	67,3	53,5	38	20,5	27	27	18L	M26x150

Type	ISO Ø	L1	L2	L3	ØD	S1	S2	Ø	T
VSM18150	12,5	99	67,3	53,5	38	27	27	10S	M18x150
VSM20150	12,5	99	67,3	53,5	38	27	27	12S	M20x150
VSM22150	12,5	103	69,3	53,5	38	27	27	14S	M22x150
VSM24150	12,5	103	69,3	53,5	38	27	27	16S	M24x150
VSM30200	12,5	107	71,3	57,5	38	30	30	20S	M30x200

ACCESSORIES



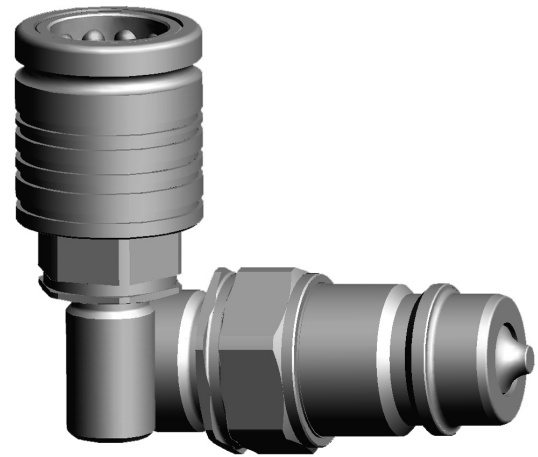
ISO Ø	Female Dust Plug	Male Dust Cap	Colour	Material
12,5	VSA-08F	VSA-08M	Red, Blue, Yellow, Black, Orange	Plastic



ISO Ø	Automatic Dust Cap	Colour	Material
12,5	NCA-08F	Red, Yellow, Black	Nylon

TECHNICAL DATA

Standard:	ISO 7241 A
Sleeve	double acting
Occlusion:	poppet
Locking:	radial balls
Material:	steel
Finishing:	Zinc plated
Threads:	BSP
Standard seals:	NBR
Working temperature:	-25° C + 100° C
Optional seals:	FKM
Workings pressure:	250 bar
Connection under residual pressure:	not allowed



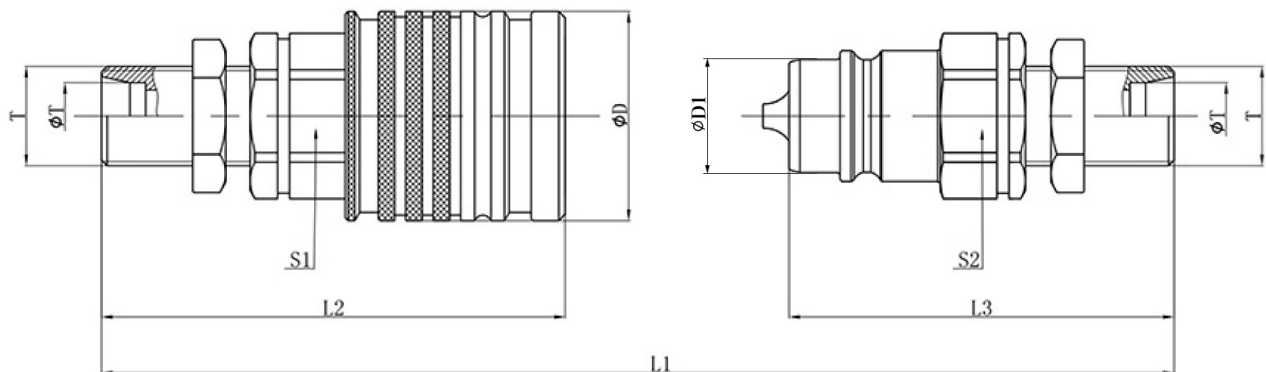
Applications:

Versatile VSM series couplings are used in a wide range of hydraulic applications including construction equipment, manufacturing machinery, and in-plant systems.

They can be found anywhere the fluid transfer lines need to be connected and disconnected for operation or maintenance of equipment.

Interchange Standard

Parker 2000 series
Faster PV
Aeroquip FD 72
Eaton H5000
Holmbury P
Dnp PPV
Stucchi IRSV



Type	ISO Ø	L1	L2	L3	ØD	ØD1	S1	S2	Ø	T
VSM-SC14150	12,5	132,5	84,3	70	38	20,5	27	27	8L	M14x150
VSM-SC16150	12,5	132,5	84,3	70	38	20,5	27	27	10L	M16x150
VSM-SC18150	12,5	132,5	84,3	70	38	20,5	27	27	12L	M18x150
VSM-SC22150	12,5	132,5	84,3	70	38	20,5	27	27	15L	M22x150
VSM-SC26150	12,5	132,5	84,3	53,5	38	20,5	27	27	18L	M26x150

Type	ISO Ø	L1	L2	L3	ØD	S1	S2	Ø	T
VSM-SC18150	12,5	132,5	84,3	70	38	27	27	105	M18x150
VSM-SC20150	12,5	132,5	84,3	70	38	27	27	125	M20x150
VSM-SC22150	12,5	132,5	84,3	70	38	27	27	145	M22x150
VSM-SC24150	12,5	132,5	84,3	70	38	27	27	165	M24X150
VSM-SC30200	12,5	132,5	84,3	70	38	30	30	205	M30x200

ACCESSORIES



ISO Ø	Female Dust Plug	Male Dust Cap	Colour	Material
12,5	VSA-08F	VSA-08M	Red, Blue, Yellow, Black, Orange	Plastic



ISO Ø	Automatic Dust Cap	Colour	Material
12,5	NCA-08F	Red, Yellow, Black	Nylon

TECHNICAL DATA

Occlusion:	decompression valve
Locking:	radial balls
Material:	steel
Finishing:	Zinc plated
Threads:	BSPP
Standard seals:	NBR
Working temperature:	-25° C + 100° C
Optional seals:	FKM
Workings pressure:	250 bar
Connection under residual pressure:	both male or female side
Max residual pressure:	250 bar

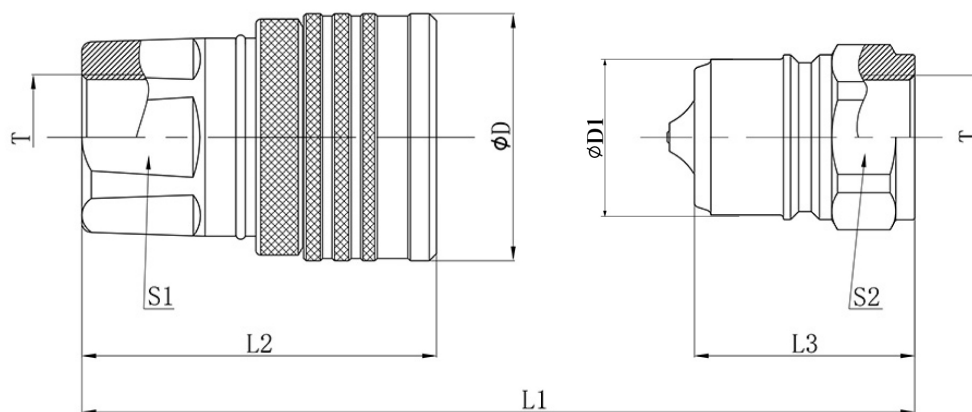


Applications:

Versatile VST-PC series couplings are used in a wide range of hydraulic applications including construction equipment, manufacturing machinery, and in-plant systems. They can be found anywhere the fluid transfer lines need to be connected and disconnected for operation or electronics and automotive industry.

Interchange Standard

Cejn 525
Holmbury F
DNP PTV/PTK
Stucchi IRC
Tema T/H



Type	ISO Ø	L1	L2	L3	ØD	ØD1	S1	S2	T
VST-PC38	10	77	60	42	34	19,9	24	22	BSPP 3/8"
VST-PC12	12,5	82	65	46	40	24,7	30	27	BSPP 1/2"
VST-PC34	20	92	72	52	52	32,7	38	36	BSPP 3/4"
VST-PC100	25	113	88	60	62	40,90	45	46	BSPP 1"

TECHNICAL CHARACTERISTICS

Type	ISO Ø	Q.	Max. Q	Max. Operating Pressure			Burst Pressure		
				Coupled	Male	Female	Coupled	Male	Female
				Bar	Bar	Bar	Bar	Bar	Bar
VST-PC38	10	46	370	370	370	1300	1100	1400	1760
VST-PC12	12,5	90	350	350	350	1200	1100	1300	1520
VST-PC34	20	212	300	300	300	1100	900	1100	1460
VST-PC100	25	380	300	300	300	1100	900	1000	1530

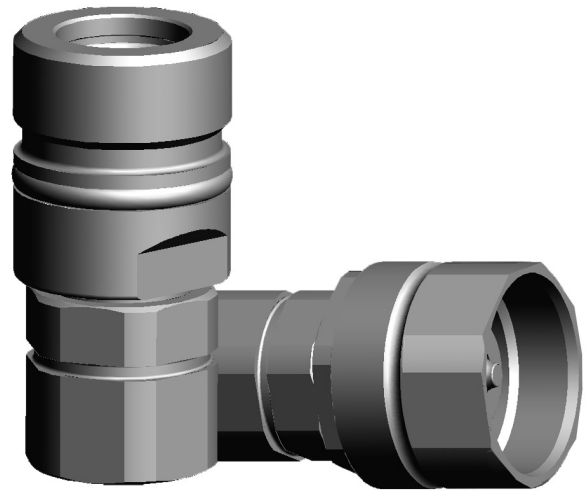
ACCESSORIES



ISO Ø	Female Dust Plug	Male Dust Cap	Colour	Material
10	VST-06F	VST-06M	Blue	Plastic
12,5	VST-08F	VST-08M	Blue	Plastic
20	VST-12F	VST-12M	Blue	Plastic
25	VST-16F	VST-16M	Blue	Plastic

TECHNICAL DATA

Standard:	ISO 14541
Sleeve:	double acting
Occlusion:	poppet
Locking:	screw
Material:	steel
Finishing:	Zinc plated
Threads:	BSPP
Standard seals:	NBR
Working temperature:	-25° C + 100° C
Optional seals:	FKM
Workings pressure:	300-450 bar
Connection under residual pressure:	both male or female side



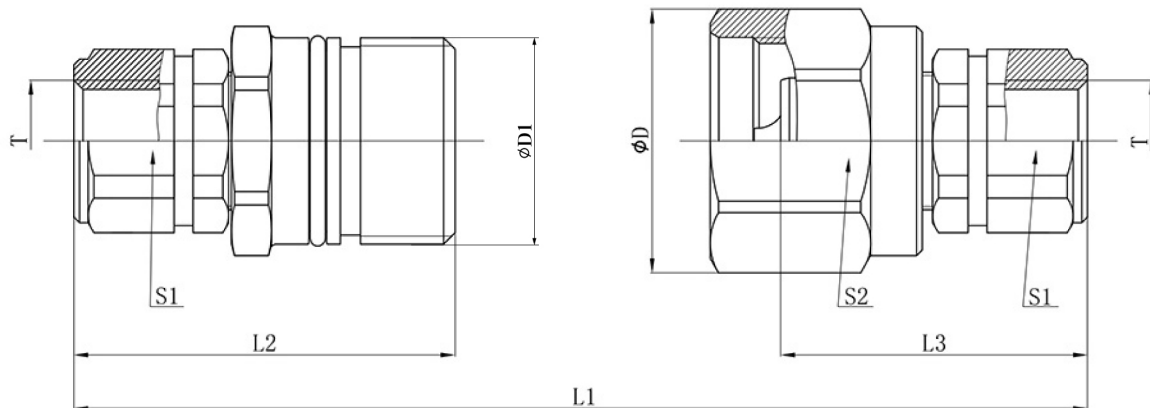
Applications:

For their strength VSV couplers are highly recommended for heavy duty industrial applications.

The screw system allows the connection either with male or female under pressure.

Interchange Standard

Dnp PVX
Stucchi VD
Holmbury HS
Voswinkel HD
Faster CV



Type	ISO Ø	L1	L2	L3	ØD	ØD1	S1	S2	S3	T
VSV14	6,3	90,8	60	56,9	34,5	24x200	19	30	19	BSPP 1/4"
VSV38	10	98,6	64,2	61,5	34,3	28x200	24	30	24	BSPP 3/8"
VSV12	12,5	103,6	66,5	64,8	42	36x200	30	36	30	BSPP 1/2"
VSV34	20	132,1	85	78,9	48	42x200	36	41	36	BSPP 3/4"
VSV100	25	151	100	86	55	48x300	50	50	50	BSPP 1"
VSV114	31,5	186	113	132	80	70x300	55	75	55	BSPP1"1/4"

TECHNICAL CHARACTERISTICS

Type	ISO Ø	Q.	Max. Q	Max. Operating Pressure			Burst Pressure	Fluid spillage
				Coupled	Male	Female		
				Bar	Bar	Bar		
VSV14	6,3	12	20	350	1400	1400	1400	0,8
VSV38	10	23	46	325	1830	1300	1530	1,4
VSV12	12,5	45	90	300	1490	1220	1510	2,7
VSV34	20	106	148	250	1490	1070	1390	9,3
VSV100	25	189	200	250	1100	1110	1110	16
VSV114	31,5	288	380	200	700	700	700	30

ACCESSORIES



ISO Ø	Female Dust Plug	Male Dust Cap	Colour	Material
6,3	VSV-04F	VSV-04M	Red	Plastic
10	VSV-06F	VSV-06M	Red	Plastic
12,5	VSV-08F	VSV-08M	Red	Plastic
20	VSV-12F	VSV-12M	Red	Plastic
25	VSV-16F	VSV-16M	Red	Plastic
31,5	VSV-20F	VSV-20M	Red	Plastic

TECHNICAL DATA

Occlusion:	poppet
Locking:	screw and radial balls
Material:	steel
Finishing:	Zinc plated
Threads:	BSPP
Standard seals:	NBR
Working temperature:	-25° C + 100° C
Optional seals:	FKM
Workings pressure:	250-350 bar
Connection under residual pressure:	allowed male or female side

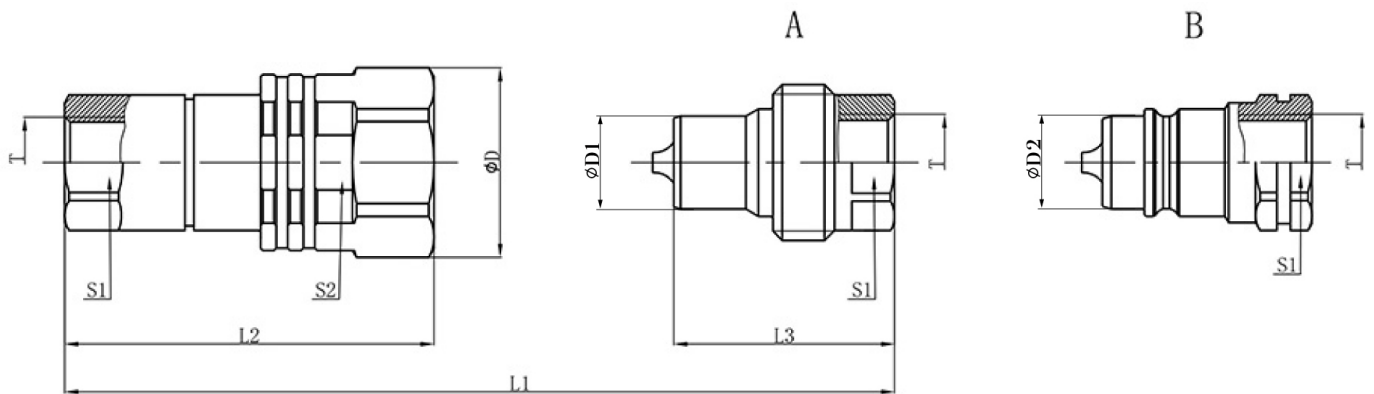


Applications:

It offers an extensive range for agricultural applications with high pressure pulses.

Interchange Standard

Faster VV
DnpVDV1



Type	ISO Ø	L1	L2	L3	ØD	ØD1	ØD2	S1	S2	T
VSG14	6,3	71	65,5	33	30	14,2	14,2	19	27	BSPP 1/4"
VSG38	10	83,3	76,0	40,5	38	19	19	24	34	BSPP 3/8"
VSG12	12,5	95,5	82,0	49	42	20,5	20,5	27	38	BSPP 1/2"
VSG34	20	117	105	62	55	29,10	29,10	34	50	BSPP 3/4"
VSG100	25	139,5	124,5	73	61	34,3	34,3	41	55	BSPP 1"

TECHNICAL CHARACTERISTICS

Type	ISO Ø	Q.	Max. Q	Max. Operating Pressure			Burst Pressure		
				Coupled	Male	Female	Coupled	Male	Female
				Bar	Bar	Bar	Bar	Bar	Bar
VSG14	6,3	12	24	350	350	315	1500	1800	1400
VSG38	10	23	46	300	300	315	1800	1200	1800
VSG12	12,5	45	90	300	300	250	1600	1000	1600
VSG34	20	106	220	250	250	250	1300	1000	1000
VSG100	25	189	260	230	230	200	700	600	900

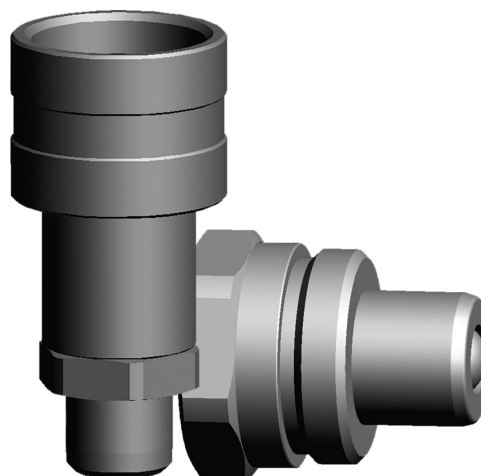
ACCESSORIES



ISO Ø	Female Dust Plug	Male Dust Cap	Material
6,3	VSG-04F	VSG-04M	Plastic
10	VSG-06F	VSG-06M	Plastic
12,5	VSG-08F	VSG-08M	Plastic
20	VSG-12F	VSG-12M	Plastic
25	VSG-16F	VSG-16M	Plastic

TECHNICAL DATA

Standard:	ISO 14540
Occulsion:	ball
Locking:	screw
Material:	steel
Finishing:	Zinc plated
Threads:	NPTF
Standard seals:	NBR
Working temperature:	-25° C + 100° C
Optional seals;	FKM
Connection under residual pressure:	both male or female side
Workings pressure:	100 bar

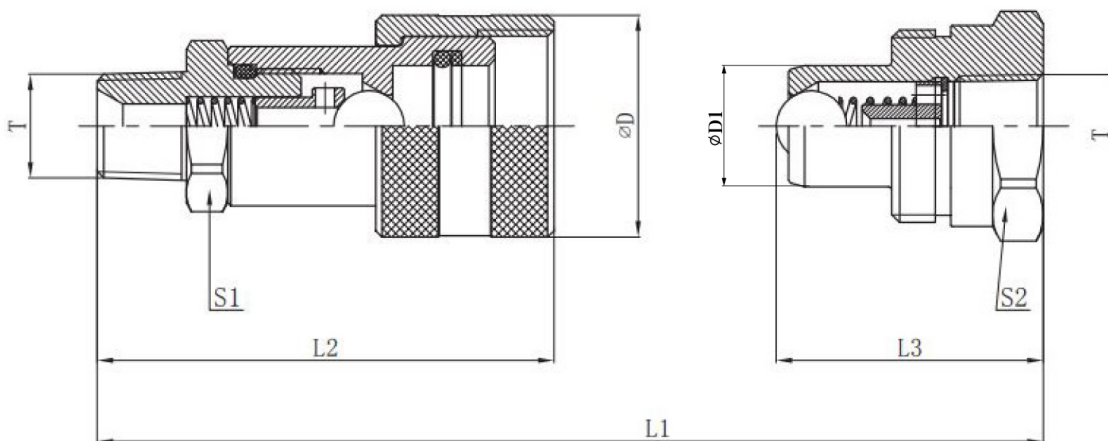


Applications:

VHP couplings with twheir threaded locking system and precision ball-type check valves are designed for extremely high pressure applications.

Interchange Standard

Stucchi IVHP
Faster PVVM
Parker 3000 series



Type	ISO Ø	L1	L2	L3	ØD	ØD1	S1	S2	T
VHP14	6,3	81	52	39	28	15,9	21	19	NPT 1/4"
VHP38	10	96	61	41	35	19	24	32	NPT 3/8"

TECHNICAL CHARACTERISTICS

Type	ISO Ø	Q.	Max. Operating Pressure	Burst Pressure			Fluid spillage
				Coupled	Male	Female	
	mm	l/min	Bar	Bar	Bar	Bar	cc
VHP14	6,3	5	700	2270	1530	2050	0,2
VHP38	10	9	700	2220	1540	2020	0,6

ACCESSORIES



ISO Ø	Female Dust Plug	Male Dust Cap	Colour	Material
10	VHP-38F	VHP-38M	Black	Plastic



ISO Ø	Female Dust Plug	Male Dust Cap	Material
6,3	VHP-14F	VHP-14M	Aluminium
10	VHP-38F	VHP-38M	Aluminium

TECHNICAL DATA

Standard	ISO 15171-1
Occlusion:	flat face
Locking:	radial balls
Material:	steel
Finishing:	Zinc plated
Threads:	BSPP - NPTF - SAE - METRICS
Standard seals:	NBR
Working temperature:	-25° C + 100° C
Optional seals:	FKM
Workings pressure:	470 bar
Connection under residual pressure:	not allowed

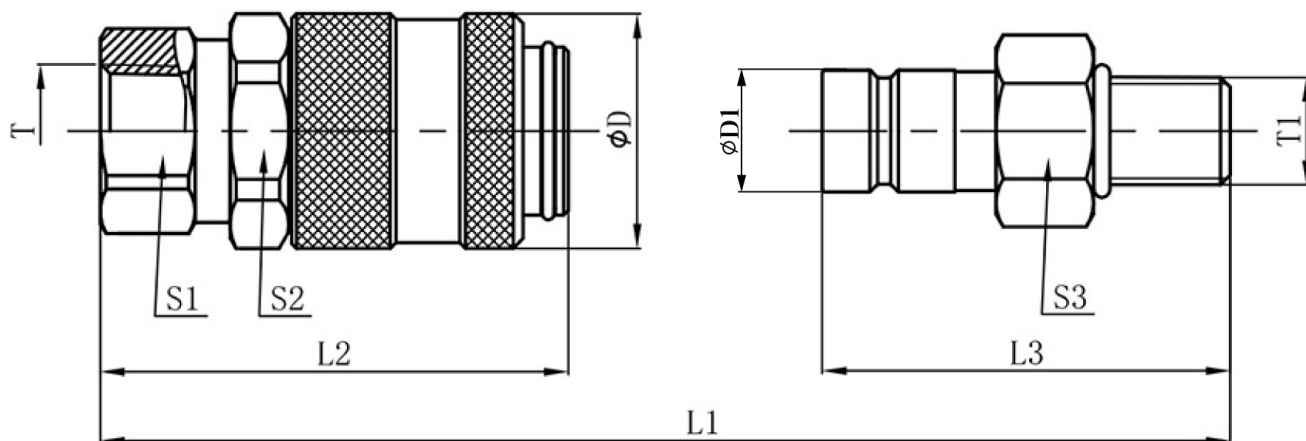


Applications:

VSD series checks pressure in industrial equipment, mobile equipment, agricultural equipment and construction equipment.

Interchange Standard

Parker PD
Faster DF
Holmbury DTP
Aeroquip FD90
DnpPLD3



Type	ISO Ø	L1	L2	L3	ØD	ØD1	S1	S2	S3	T	T1
VSD14	6,3	78	46,6	45,8	24	12,6	19	22	17,5	NPT 1/8"	UNF 7/16"
VSD38	6,3	70	46,6	37,8	24	12,6	19	22	17,5	BSPP 1/8"	UNF 9/16"
VSD12	6,3	74	46,6	41,8	24	12,6	19	22	17,5	NPT 1/4"	NPT 1/4"
VSD34	6,3	70	46,6	37,8	24	12,6	19	22	17,5	BSPP 1/4"	BSPP 1/4"
VSD100	6,3	70	46,6	37,8	24	12,6	19	22	17,5	M14x1,5	M14x1,5

TECHNICAL DATA

VSR Series:	Screw to connect
Body Size:	3/4", 1"
Valve:	Poppet type
Body materials:	Zinc-plated carbon steel body
Seals materials:	Standard Nitrile (Buna-N)
Working temperature:	-20° C + 100° C. Others on request
Back-up Ring:	Teflon
Threads available:	BSPP female thread.
Optional seals:	FKM - EPDM
Workings pressure:	160-315 bar



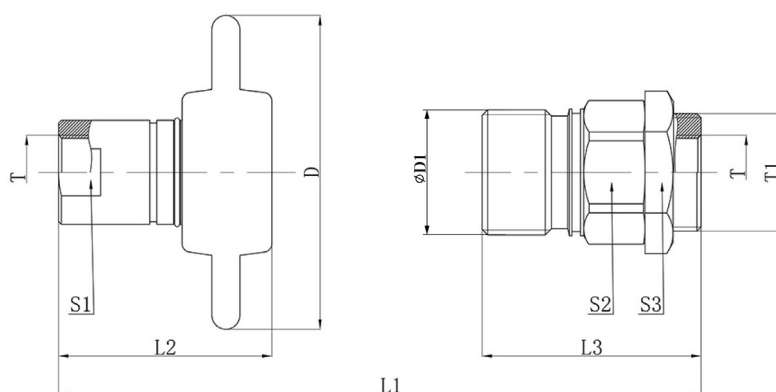
Applications:

Versatile VSR series couplings are used in a wide range of hydraulic applications including vehicles and road machine. They are designed for extremely high pressure applications.

They can be found anywhere the fluid transfer lines need to be connected and disconnected for operation or maintenance of equipment.

Interchange Standard

Dnp PVE1
Faster CVE



Type	ISO Ø	L1	L2	L3	ØD	ØD1	S1	S2	T	T1
VSR34	20	132,5	76	78	115	1" 3/4" UNS	33	46	BSPP 3/4"	BSPP 1" 1/4"
VSR100	25	145	81,5	83	115	2" 1/8 UNS	40	55	BSPP 1"	BSPP 1" 1/4"

TECHNICAL CHARACTERISTICS

Type	ISO Ø		Q.	Max.Flow	Coupled	Male	Female	Burst Pressure	Fluid spillage
	mm	Bar							
VSR34	20	350	120	240	1300	1000	1000	2050	10
VSR100	25	300	160	320	1000	1000	1000	2020	15

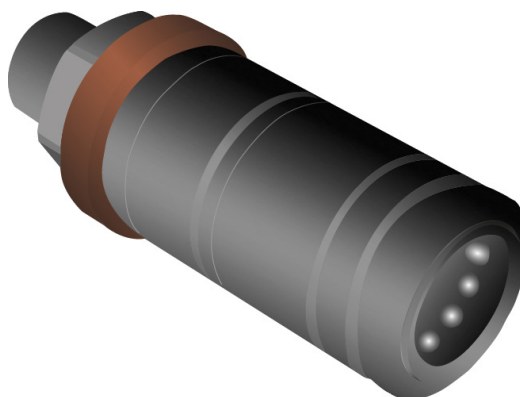
ACCESSORIES



ISO Ø	Female Dust Plug	Male Dust Cap	Material
6,3	VSR-34F	VSR-34M	Aluminium
10	VSR-100F	VSR-1000	Aluminium

TECHNICAL DATA

Standard:	ISO 7241-2
Body Size:	1/2"
Valve:	Poppet type
Body materials:	steel
Seals materials:	Standard Nitrile (Buna-N)
Working temperature:	-20° C + 100° C. Others on request
Back-up Ring:	Teflon
Threads available:	BSPP female thread.



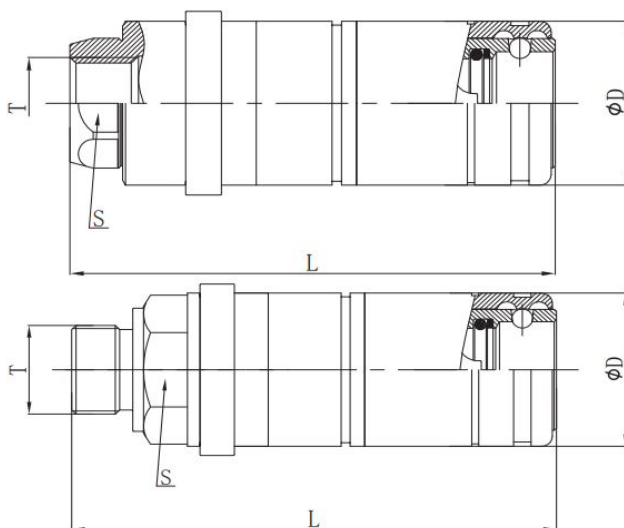
Applications:

Versatile VCFPV series couplings are used in a wide range of hydraulic applications including construction equipment, manufacturing machinery, and in-plant systems.

They can be found anywhere the fluid transfer lines need to be connected and disconnected for operation or maintenance of equipment.

Interchange Standard

Dnp PPK3
Faster 3CFPV



Type	ISO Ø	L	ØD	S	T
VCFPV12	20	132,5	115	33	BSPP 1/2"
VCFPC22	25	145	115	40	M22x150

TECHNICAL CHARACTERISTICS

Type	ISO Ø	Q.	Max. Operating Pressure			Burst Pressure		
			Coupled	Male	Female	Coupled	Male	Female
	mm	l/min	Bar	Bar	Bar	Bar	Bar	Bar
VCFPV22	12,5	68	250	250	250	1050	1200	1000
VCFPV12	12,5	68	250	250	250	1240	1200	1000

ACCESSORIES



ISO Ø	Female Dust Plug	Male Dust Cap	Colour	Material
12,5	VSA-08F	VSA-08M	Red, Blue, Yellow, Black, Orange	Plastic



ISO Ø	Automatic Dust Cap	Colour	Material
12,5	NCA-08F	Red, Yellow, Black	Nylon

TECHNICAL DATA

VVF Series:	ISO 5676 NFU 16006/68 Interchange
Body Size:	3/8, 1/2, METRIC 18x150
Valve:	Flat face
Body materials:	Zinc-plated carbon steel body
Seals materials:	Standard Nitrile (Buna-N)
Working temperature:	-20° C + 100° C. Others on request
Back-up Ring:	Teflon
Threads available:	BSPF female thread.

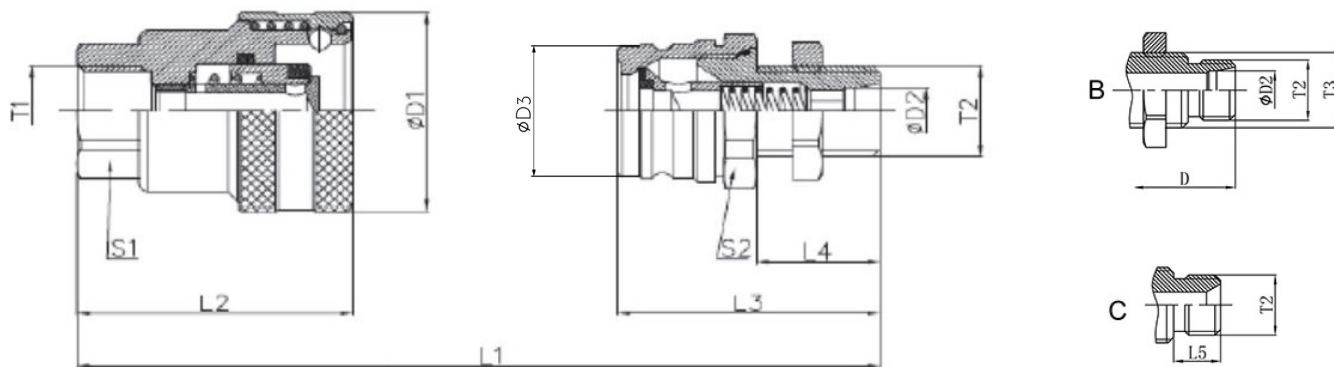


Applications:

This series mainly apply in agriculture, especially the connection of hydraulic braking system.

Interchange Standard

DnpPFT
Stucchi IFR
Faster VF



Type	ISO Ø	L1	L2	L3	L4	L5	ØD1	ØD2	ØD3	S1	S2	T1	T2
VVF18150	12,5		55,8				44,3			27		M18X150	
VVF38	12,5		55,8				44,3			27		BSPF 3/8"	
VVF12	12,5		55,8				44,3		29	27		BSPF 1/2"	
VVF18150	12,5	95,5		55	21			12			32		M18X150
VVF20150	12,5	97,3		57	23			13,5			32		M20X150
VVF22150	12,5	97,3		57	23			15			32		M22X150
VVF12	12,5	91		50,5		16,5					32		BSPF 1/2"

TECHNICAL CHARACTERISTICS

Type	ISO Ø	Q.	Max. Operating Pressure			Burst Pressure		
			Coupled	Male	Female	Coupled	Male	Female
	mm	l/min	Bar	Bar	Bar	Bar	Bar	Bar
VVF18150	12,5	24	150	150	150	930	900	620
VVF38	12,5	24	150	150	150	930	900	620
VVF12	12,5	24	150	150	150	930	900	620

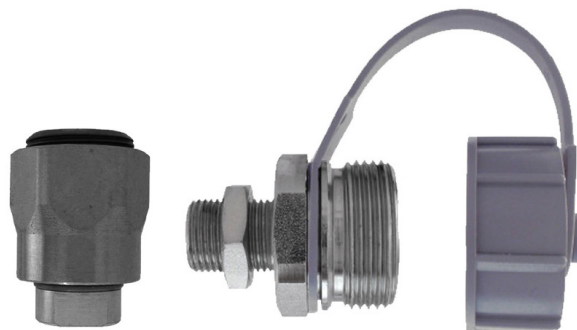
ACCESSORIES



ISO Ø	Female Dust Cap	Color	Material
-	VVF-08F	Grey	Plastic

TECHNICAL DATA

VVA Series:	French agricultural valve
Body Size:	12,5
Valve:	Flat face
Body materials:	Steel
Seals materials:	Standard Nitrile (Buna-N)
Working temperature	-20° C + 100° C. Others on request
Back-up Ring:	Teflon
Threads available:	BSPP and Metric.

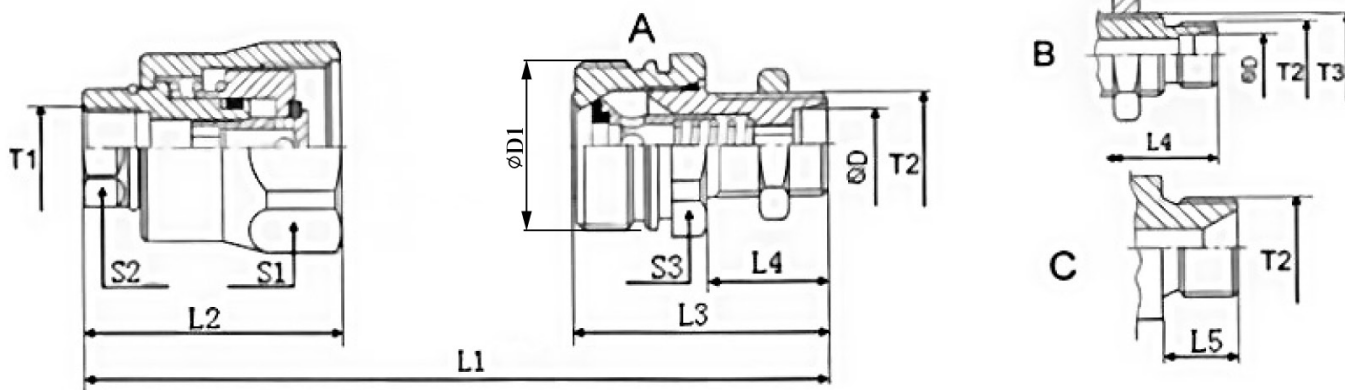


Applications:

Versatile VVA series couplings are used in Agriculture Market.

Features:

VVA couplings are commonly used in Agriculture Market for braking systems and consequently very similar to VF braking valve. Characterized by screw-to-connect sleeve, their interchangeability is based on market driven standards.

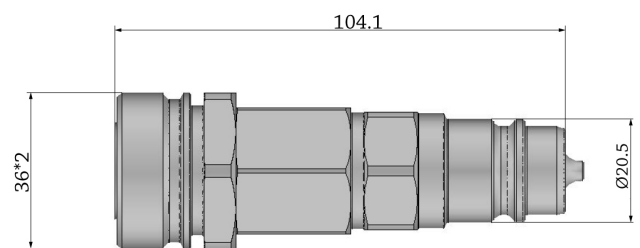
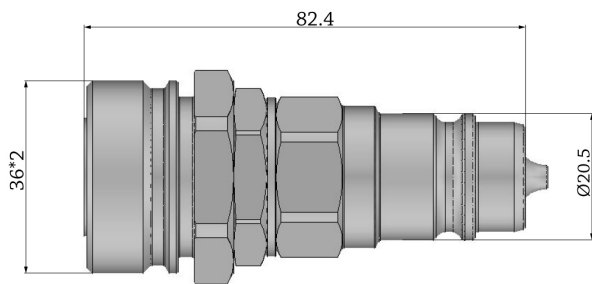


Type	ISO Ø	L1	L2	L3	L4	ØD	ØD1	S1	S2	T1	T2
VVA38	12,5		52,8					41	22	BSPP 3/8	BSPP 3/8
VVA1815	12,5		52,8					41	22	M-18x150	M18x150
VVA12	12,5	88,5		48	15		36x2				BSPP 1/2
VVA1815	12,5	88,5		49	21	12	36x2				M18x150

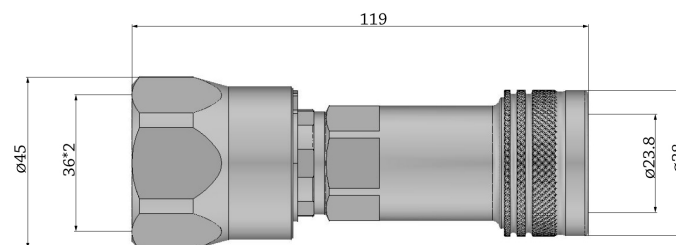
TECHNICAL CHARACTERISTICS

Type	ISO Ø	Q.	Max. Operating Pressure			Burst Pressure		
			Coupled	Male	Female	Coupled	Male	Female
	mm	l/min	Bar	Bar	Bar	Bar	Bar	Bar
VVA38	12,5	24	200	200	200	1380	1030	600
VVA1815	12,5	24	200	200	200	1380	1030	600
VVA12	12,5	24	200	200	200	1380	1030	600
VVA1815	12,5	24	200	200	200	1380	1030	600

ASSEMBLING



Ref.	T	T1	Type
VNKEN350908MC	18x150	1/2	VVA M VSA 12 M SHORT
VNKEN350908ML	18x150	1/2	VVA M VSA 12 M LONG



Ref.	T	T1	Type
VNKEN350908F	18x150	1/2	VVA18150 F VSA 12 F

ACCESSORIES

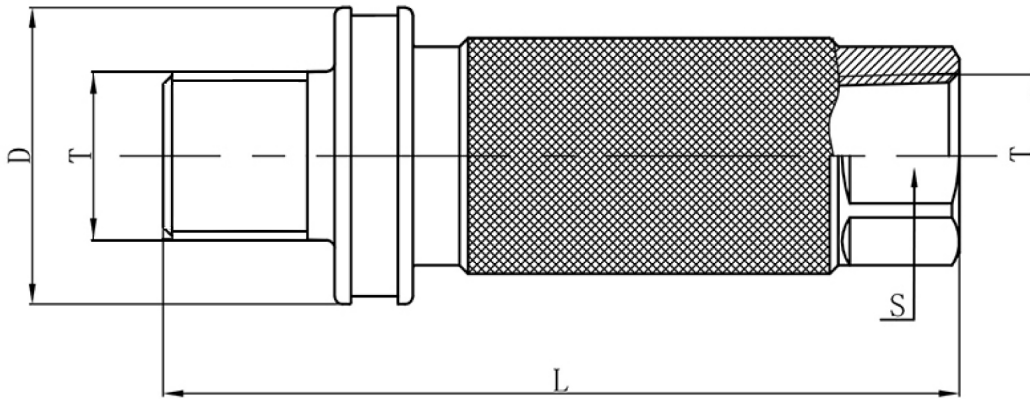


ISO Ø	Female Dust Cap	Color	Material
-	VVA-08F	Grey	Plastic

TECHNICAL DATA

HAND GRIP

For males VSA, VSA-PC.	12,5
Body Size: 1/2"	1/2"
Body materials:	Steel
Seals materials:	Standard Nitrile (Buna-N)
Working temperature:	-20° C + 100° C. Others on request



Type	ISO Ø	L	ØD	S	T
VHG-12	12,5	102.0	38.0	25.4	BSPP 1/2"

TECHNICAL DATA

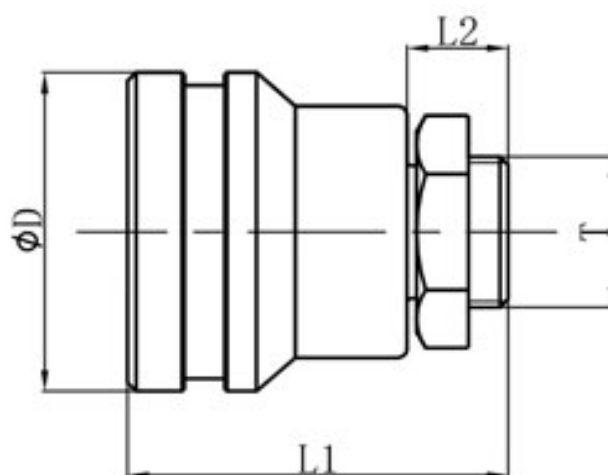


Ref.	Type	Colour	Material
VNKEN2408FB	VHG12	Blue	Plastic
VNKEN2408FG	VHG12	Green	Plastic
VNKEN2408FR	VHG12	Red	Plastic
VNKEN2408FY	VHG12	Yellow	Plastic

TECHNICAL DATA

VSA PARKING

For males VSA, VSA-PC.	12,5
Body Size: 1/2"	1/2"
Body materials:	Steel
Seals materials:	Standard Nitrile (Buna-N)
Working temperature:	-20° C + 100° C. Others on request



Type	ISO Ø	L1	L2	ØD	T
VSA-PARKING 12	12,5	44,5	12	38	M18x150



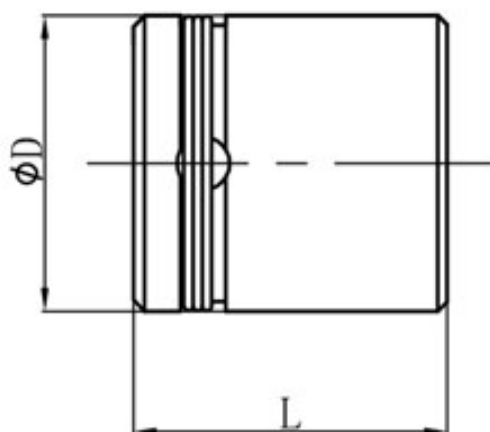
ISO Ø	Automatic Dust Cap	Colour	Material
12,5	NCA-08F	Red, Yellow, Black	Nylon

TECHNICAL DATA

[View on web](#)

VSA PARKING

For males VSA, VSA-PC.	12,5
Body Size: 1/2"	1/2"
Body materials:	Steel
Seals materials:	Standard Nitrile (Buna-N)
Working temperature:	-20° C + 100° C. Others on request



Type	ISO Ø	L	ØD
VSA-PARKING 12	12,5	32.0	32.0



ISO Ø	Automatic Dust Cap	Colour	Material
12,5	NCA-08F	Red, Yellow, Black	Nylon

ACCESORIES



For couplings	VSA, VSA-PC.
Body Size:	1/4", 3/8", 1/2", 3/4", 1".
Body materials:	PVC

PVC with diferents colours. Red, Blue, Yellow.
 Others colors on request.

Applications:

Protective caps are always recommended to protect the couplings from damage, dirt inclusion, and will increase the product life.

This is particularly important in agriculture applications where exoisyreti wather and aggregate materials are common.

ISO Ø	Female Dust Plug	Male Dust Cap	Colour	Material
6,3	VSA-04F	VSA-04M	Red, Blue, Yellow, Black, Orange	Plastic
10	VSA-06F	VSA-06M	Red, Blue, Yellow, Black, Orange	Plastic
12,5	VSA-08F	VSA-08M	Red, Blue, Yellow, Black, Orange	Plastic
20	VSA-12F	VSA-12M	Red, Blue, Yellow, Black, Orange	Plastic
25	VSA-16F	VSA-16M	Red, Blue, Yellow, Black, Orange	Plastic

ACCESORIES



ISO Ø	Female Dust Plug	Male Dust Cap	Colour	Material
6,3	VNV-04F	VNV-04M	Blue	Plastic
10	VNV-06F	VNV-06M	Blue	Plastic
12,5	VNV-08F	VNV-08M	Blue	Plastic
20	VNV-12F	VNV-12M	Blue	Plastic
25	VNV-16F	VNV-16M	Blue	Plastic

ACCESORIES



ISO Ø	Female Dust Plug	Male Dust Cap	Colour	Material
6,3	VSB-04F	VSB-04M	Blue	Plastic
10	VSB-06F	VSB-06M	Blue	Plastic
12,5	VSB-08F	VSB-08M	Blue	Plastic
20	VSB-12F	VSB-12M	Blue	Plastic
25	VSB-16F	VSB-16M	Blue	Plastic

ACCESORIES



ISO Ø	Female Dust Plug	Male Dust Cap	Colour	Material
10	VST-06F	VST-06M	Blue	Plastic
12,5	VST-08F	VST-08M	Blue	Plastic
20	VST-12F	VST-12M	Blue	Plastic
25	VST-16F	VST-16M	Blue	Plastic

ACCESORIES



ISO Ø	Female Dust Plug	Male Dust Cap	Colour	Material
6,3	VSV-04F	VSV-04M	Red	Plastic
10	VSV-06F	VSV-06M	Red	Plastic
12,5	VSV-08F	VSV-08M	Red	Plastic
20	VSV-12F	VSV-12M	Red	Plastic
25	VSV-16F	VSV-16M	Red	Plastic
31,5	VSV-20F	VSV-20M	Red	Plastic

ACCESORIES



ISO Ø	Female Dust Plug	Male Dust Cap	Material
6,3	VSG-04F	VSG-04M	Plastic
10	VSG-06F	VSG-06M	Plastic
12,5	VSG-08F	VSG-08M	Plastic
20	VSG-12F	VSG-12M	Plastic
25	VSG-16F	VSG-16M	Plastic

ACCESORIES



ISO Ø	Female Dust Plug	Male Dust Cap	Material
6,3	VSR-34F	VSR-34M	Aluminium
10	VSR-100F	VSR-1000	Aluminium

ACCESSORIES



ISO Ø	Female Dust Plug	Male Dust Cap	Colour	Material
10	VHP-38F	VHP-38M	Black	Plastic

ACCESORIES



ISO Ø	Female Dust Cap	Color	Material
-	VVF-08F	Grey	Plastic

ACCESORIES



ISO Ø	Female Dust Cap	Color	Material
-	VVA-08F	Grey	Plastic



**HYDRAULIC
QUICK COUPLINGS**

<https://www.vinckehydraulics.com>

VINCKE

Your Hydraulic Brand

